

M5

USER MANUAL

说明书

敬爱的用户

欢迎购买山灵M5便携音乐播放器，谨让我们借此机会向您表示诚挚的谢意。我们向您建议：在动手操作之前，请仔细阅读此使用说明书，并注意存放好以备随时参考。

产品简介

本产品能支持MP2、MP3、WAV、WMA、APE、DSF、AAC、AIFF、OGG、DFF、ISO、FLAC、ALAC、等音乐格式，最高支持192K/24bit采样率，同时支持CUE索引播放，是一款高性能的便携音乐播放器。

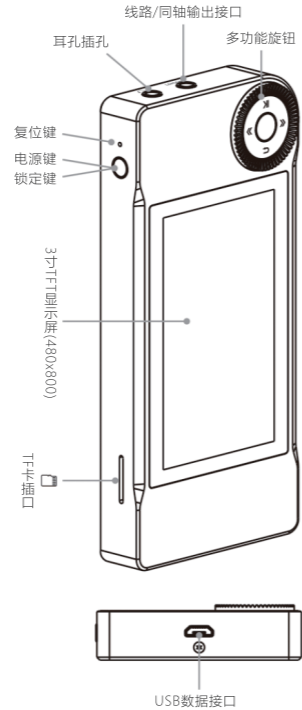
安全指示

1. 不可自行开启本机进行维修或改造！产品不设有用户自行检修的零件，本机的维修须具备专业资格的人员进行。开启机器及随意改造内部电路会令检修人员难以维修本机，而且会对机器造成性能或质量的影响。
2. 请不要在特别热、冷、多尘或潮湿的环境中使用本产品。
3. 充电时机器有轻微发热，属正常现象。
4. 使用时不要让产品摔落，或与硬物摩擦撞击，否则会导致播放器表面磨花，电池脱落，数据丢失或其它硬件损坏，不要剧烈震动或撞击，防止不正确使用而损伤本产品。
5. 请调节适当音量欣赏音乐，以免损伤您的听觉和音响系统，在插入耳机前，请先将音量调小，不要长时间使用耳机。
6. 不要使用化学剂或清洁剂清洁本产品，这样会损伤产品表面和腐蚀喷漆。
7. 本产品格式化或上传/下载过程中不要突然断开连接，否则可能导致程序出错。
8. USB只用于数据传输或者充电，请尽量避免边充电边使用。
9. 当长期没有使用本产品时，需要对产品定期充电，以保证电池寿命。

10. 电池更换不当会有爆炸危险，只能用同类型或等效类型的电池。
11. 电池不得暴露在诸如日照、火烤或类似过热环境中。
12. 建议将TF卡格式化为FAT32格式，以获得最好的系统运作表现。

★ 产品技术标准：GB8898

部件名称



操作说明

开机/关机/锁屏

1. 开机: 长按电源键开机，显示屏点亮。
2. 强制关机: 长按5秒关机，显示屏关闭。
3. 锁屏: 在开机状态下，短按一次进入锁屏状态，显示屏自动关闭，再按一次恢复解锁。可在系统设置中打开“锁屏操作”功能，在锁屏状态下可切换歌曲、快进快退、暂停播放、继续播放及音量调节功能操作。

注: 用户可在“系统设置”菜单下进行“省电待机”设置，可设置1分钟、2分钟、3分钟或4分钟后自动进入深度待机（在播放进行状态下无效），也可在“睡眠待机”中设置播放时间，时间倒数为0时自动进入深度待机状态。

充电

连接USB线充电时显示屏显示电池充电图标及电量，充满后系统会自动关机。

多功能旋钮

1. 滚轮旋转: 在正在播放界面下为音量调节功能，在其他界面下为选择功能。
2. 中间按下: 在任意界面下，短按为确定。在我的音乐，文件管理和播放界面下，长按可弹出功能滚轮，可对文件和歌曲进行编辑，在“锁屏操作”打开的情况下短按可唤醒屏幕。
3. 向上按下: 在任意界面下为播放及暂停功能。
4. 向下按下: 在任意界面下为退出功能，长按可快速切换到首页。
5. 向左按下: 在任意界面下短按为切换到上一曲，长按为快退功能。
6. 向右按下: 在任意界面下短按为切换到下一曲，长按为快进功能。

RESET键

系统复位键，按下后自动重启系统。

耳机输出接口 (R)

标准3.5mm耳机接口

TF卡插槽

插标准TF卡，最大支持128G容量。

线路模拟输出接口 (LO) / 同轴数字输出 (COAX) 切换

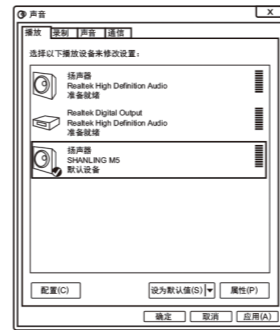
打开本机进入“系统设置”界面，选择“输出选择”，可切换线路模拟输出 (LO) 和同轴数字输出 (COAX)。

USB数据接口

1. 数据交换
 - a. 打开本机进入“系统设置”界面，选择“USB模式”项并设置在“USB”状态。
 - b. 连接电脑后，即可进行TF卡的歌曲管理。在“系统设置”中选择“更新我的音乐”并确定更新，可使TF卡的歌曲在“我的音乐”中显示。

2. 传输数字音频信号

- a. 打开本机进入“系统设置”界面，选择“USB模式”项并设置在“DAC”状态后返回主界面。
- b. 连接电脑后，请将“USB驱动”安装至电脑上。
- c. 在电脑的“声音”选项右键选择“播放设备”，并勾选“扬声器SHANLING M5”为默认设备，如右图示：



USB驱动程序下载方式：

请登录官网 <http://www.shanling.com> 进入M5产品页进行相关下载。

常见问题

1. 不能显示封面: 本机支持100KB以内的JPG封面，其它格式可能不能正常显示。如是外挂封面，请重命名封面文件与对应歌曲文件同名。本机支持文件夹封面，将名称为front或cover或folder的图片放在文件夹中，该文件夹所有歌曲均能显示封面。
2. 不能显示歌词: 请确认是否为LRC格式的歌词。
3. 显示乱码: 请尝试在“系统设置”中修改语言设置。另，本机按内码显示，如果曲目的内码标志不正确，也可能不能正常显示。
4. 曲目格式与文件后缀名不相符: 本机显示的曲目格式，为曲目ID3标志信息，可能与文件后缀名不相同，属正常现象。
5. 文件浏览查看不到文件: 本机只列示能够支持的曲目文件，其它文件不能浏览查看。
6. 死机: CPU偶尔运行出错导致死机，请长按“电源键”10秒强制关机。
7. 屏幕无显示: 没有电源，电池可能需要重新充电。或者系统发生故障，请尝试使用“复位键”进行系统复位。
8. 滚轮无法调节音量: 系统被锁定，需要短按电源键进行解锁。
9. 没有声音输出，或者声音有噪声: 请检查音乐输出设备和音乐文件是否完好。
10. 耳机有杂音: 耳机输出接口有可能接触不牢靠，请重新拔插复位。
11. 无法输出: 请尝试使用原装或合适的音频连接线，并确保输出正常。
12. 显示屏上的文字出现异常: 请检查语言设置是否正确。
13. 不能正常与电脑联机下载音乐: 请检查USB线是否损坏，连接是否妥当或者内存是否足够。

规格与参数

电源 (适配器):	DC5V, 2A/USB接口
频率响应:	20Hz ~ 20kHz
总谐波失真:	< 0.003%
输出功率:	300mW @ 32Ω; 20mW @ 300Ω
电池充电时间:	2A适配器供电, 充满时间大约4H (关机状态) USB接口, 充满时间大约8H (关机状态)
电池播放时间:	大于10个小时
供电方式:	内置可充电聚合物电池, 容量3400mAh
推荐耳机阻抗:	16 ~ 300Ω
存储方式:	外置TF卡, 最大容量支持128G (须格式化为FAT32格式)
体积(宽×深×高):	57mm x 13.8mm x 120mm
净重:	约 135g

随机附件

说明书:	1份	保修卡:	1张
USB线:	1根	读卡器:	1个
保护膜:	2片	同轴线:	1根



公司名称: 深圳山灵数码科技发展有限公司
公司地址: 深圳市南山区蛇口赤湾一路10号
服务热线: 400-6688-701
E-mail: info@shangling.com
官网: <http://www.shangling.com>
※ 由于产品不断改进, 各项规格及设计随时更改, 恕不另行通知



Dear Customer

Thank you for purchasing the M5 portable music player. We'd like to express our sincere gratitude to you. You are recommended to read the user manual carefully before operating the device. Please keep this user manual properly for future reference.

Product Introduction

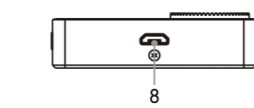
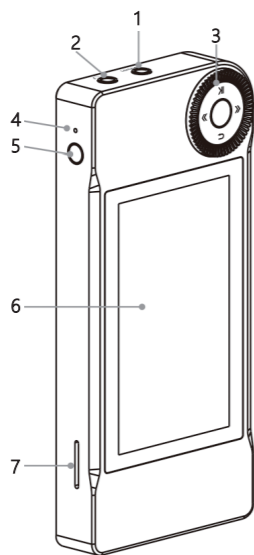
This device is a portable high resolution music player, which supports CUE index playing and playing music in formats of MP2, MP3, WAV, WMA, ALAC, FLAC, DFF, AIFF, APE, OGG, DSF, AAC, ISO, etc., with the highest sampling rate up to 192K/24bit.


Security Instructions

1. Don't repair or modify the device without permission. None of the parts in this device could be checked or repaired by the user. Only professionals are entitled to check or repair this device. If the user dismantles it and modify its internal circuit personally, it will make it difficult for our maintenance worker to repair, and may possibly impact its performance and quality.
2. Please don't use this device in extremely hot, cold, dusty or humid circumstances.
3. It is normal that this device will heat during charging.
4. Prevent this device from falling, friction, or crashing against hard objects during use, otherwise surface scratch, battery disconnection, data loss or other hardware damages will be caused. Please also avoid violent vibration or impact.
5. Please enjoy the music in a proper volume to avoid impairing your hearing and damaging the sound system. Before plugging your earphone into the device, please turn down the volume first. Don't listen to music with the earphone for a long time.
6. Don't clean this device with chemicals or detergents, otherwise its surface and top coating may be damaged.
7. Don't disconnect this device during formatting, uploading or downloading; otherwise, a program error may occur.
8. The USB port is only for data transmission or charging. Please try to avoid using this device when it is charging.
9. When this device is not in serve for a long time, please charge it regularly to guarantee battery life.
10. Please replace the battery with ones in the same types as the original ones, as improper replacement will bring the risk of explosion.
11. Never expose its battery to sunlight, fire or other extremely hot circumstances.
12. It is recommended to format the TF card into the FAT32 format, to reach the best system performance.

★ Technical standard of this device: GB8898

Names of Parts



1. Line / coaxial output interface;
2. Earphone jack;
3. Multi-functional knob;
4. Reset button;
5. Power button / Lock button;
6. 3" TFT LCD display screen (480x800);
7. TF card port ;
8. USB Port ;

Operation Instructions

Power ON / OFF / Screen Locking

1. Power on: boot up this device by holding the Power button, then the LCD display turns on.
2. Shutdown: power off this device by holding the Power button for 5 seconds, then the LCD display turns off.
3. Lock the screen: when this device is on, press the Lock button to enter the screen locking mode, with the LCD display off automatically; to unlock it, press this button again. If you enable the "Screen locking manipulation" function in the System Settings menu, skipping songs, skipping forward or backward, pausing, resuming playing and volume adjustment all are available when the screen is locked.

Note: the user could change the setting of "Automatic Standby" in the System Settings menu. This device could be set for deep sleep in 1 minute, 2 minutes, 3 minutes or 4 minutes (this function doesn't work during playing). The user could also set the playing time in the "Sleep timer" option, the device will turn to deep sleep mode when timer counts down to 0.

Charging

The charging icon and the battery power will be displayed on the LCD display when this device is charging with the USB cable. After fully charged, the device will be shut down automatically.

Multi-functional Knob

1. Roll the ring: for volume adjustment in playing music and for function selection on other interfaces.
2. Press the middle: for confirmation through pressing once on all interfaces. On the interfaces of My Music, File Management and Music Playing, hold it for popping up a functional menu for editing files or songs, Pressing to activate the display when screen locked.
3. Press up: for pausing or resuming the playing on all interfaces.
4. Press down: for returning on all interfaces. Hold it for going back to the homepage quickly.
5. Press left: pressing on all interfaces could skip to the previous song while holding it for fast skipping backward.
6. Press right: pressing on all interfaces could skip to the next song while holding it for fast skipping forward.

RESET Button

This button is for system reset. After pressing it down, the system will reboot automatically.

Earphone Output Interface (🎧)

The interface is a standard 3.5mm earphone jack.

TF Card Port

The port is only for the standard TF card and supports a capacity up to 128G.

Line Analog Output Interface (LO) / Coaxial Digital Output Interface (COAX)

After booting this device and entering the System Setting interface, select the Output Selection and then it can be switched between "LO" and "COAX"

USB Port

1. Data exchanging
 - a. After booting up this device and entering the System Settings interface, select the "USB Mode" option and then set to the "USB" status.
 - b. After being connected to a computer, songs in the TF card could be managed. Songs in the TF card could be displayed in the folder of My Music through selecting the option of "Update My Music" in the System Settings menu and then confirming the update.

Digital audio signal transmission

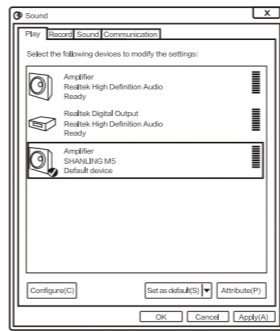
- a. After booting up this device and entering the System Settings interface, select the "USB Mode" option and then set to the "DAC" status, then get back to the main interface.
- b. After connected to a computer, install the "USB Driver" on the computer.
- c. Select the "Media Player" through right clicking in the "Sound" icon on your computer and then check the "Amplifier SHANLING M5" as the default, as shown at right:

How to download the USB driver:

Enter the M5 product page on www.shanling.com to download the USB driver.

Common Problems

1. The cover could not be displayed: This device supports displaying the cover in JPG format within 100KB, and those in other formats may not be displayed normally. If it is a plug-in cover, please rename it with the same name as the song it corresponds to. Moreover, this device also supports displaying the cover of a folder. After putting the cover picture named as "Front", "Cover" or "Folder" into the folder, the cover will be displayed in playing every song in the folder.
2. The lyric could not be displayed: Please check if the lyric is in LRC format.
3. The contents displayed are unreadable: Please try to modify the language setting in the "System Settings" menu. In addition, as this device displays with internal codes, the contents may not be displayed normally if the internal code marks of music are wrong.
4. The music format isn't consistent with the file name suffix: This is normal as the music format displayed by this device supports ID3 tag and may be different from the file name suffix.
5. Files could not be found under the function of file browsing: This device displays only music files it supports, and other files could not be viewed.
6. System halting: This occurs due to the occasional operation error of CPU. In this case, please press and hold the Power button for 10 seconds to force a shutdown.
7. No display on the LCD screen: There is no power supply or the battery may need recharging, or the system may have a trouble. Please try to reset the system through pressing the Reset button.



8. The volume could not be adjusted with the roller: The system is locked. Please press the Power button to unlock it.
9. No sound or there is some noise: Please check if the earphone and the music file are both working.
10. There is some noise from the earphone: The earphone output interface may suffer from unreliable contact. Please unplug and then plug the earphone again.
11. No output: Please use the original or a proper audio cable, and ensure the output is normal.
12. The words displayed on the LCD screen are abnormal: Please check if the settings on language are proper.
13. Unable to connect with an online computer to download music normally: Please check the condition of the USB cable, the connection between this device and the computer, and make sure that there is enough space in the memory card.

Specifications and Parameters

Power supply (adapter):	DC 5V, 2A / USB port
Frequency response:	20Hz ~ 20kHz
Total harmonic distortion:	< 0.003%
Output power:	300Mw @ 32Ω; 20mW @ 300Ω
Battery charging hours:	about 4 hours to fully charge the battery (when the music player is powered off) with a 2A adapter; about 8 hours to fully charge the battery (when the music player is powered off) with a USB cable.
Playing hours after each time of full charging:	about 10 hours
Power supply:	by the built-in rechargeable lithium polymer battery, with a capacity of 3400mAh.
Recommended earphone impedance:	16 ~ 300Ω
Storage:	The external TF card, which supports a capacity up to 128G (necessary to format the TF card into the FAT32 format).
Dimension (width x thickness x height):	57mm x 13.8mm x 120mm
Net weight:	about 135g

Attached Accessories

User manual:	1	Warranty card:	1
USB cable:	1	Card reader:	1
Protective film:	2	Coaxial cable:	1



Company name: Shenzhen Shanling Digital Technology Development Co., Ltd.
Address: #10, Chiwan 1 Rd, Shekou District, Shenzhen, GUANGDONG, CHINA
Service hotline: 400-6688-701
E-mail: info@shangling.com
Website: <http://www.shangling.com>

※ due to product is ameliorating, specifications and design are subject to change, do not notice.